



## PASSIVE COMPONENTS AND MODULES FOR A&D

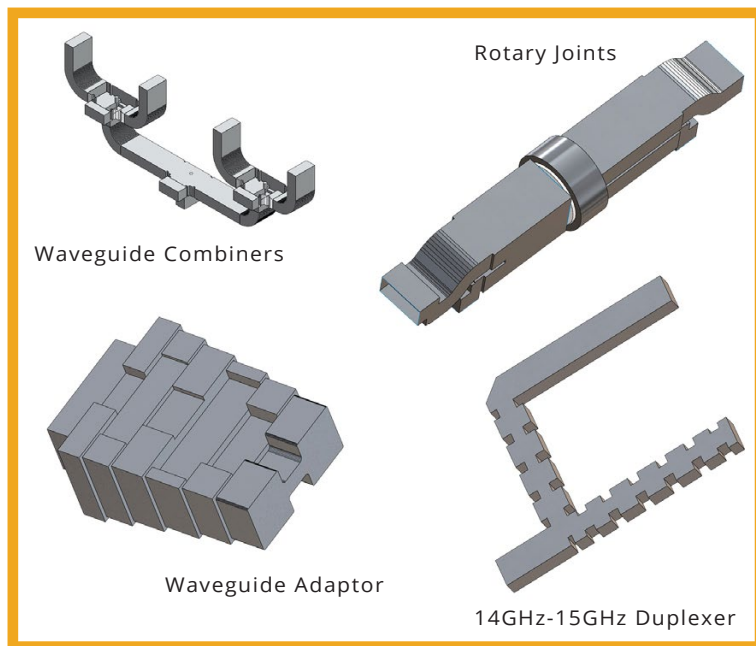
CREATING  
**SOLUTIONS**

When quality, reliability and performance are the main objectives, our Engineering team is ready to listen to your request and provide the best in class tailor made solution.

We have an accumulated experience of many decades in A&D applications and a dedicated engineering team to support them.

We offer solutions for:

- 1030-1090 pulsed amplifiers at 3.2 and 4 KW
- Up-down converters
- L-Band Amplifiers  
(pallets, modules, rack mount)
- GaN based multioctave amplifiers
- S-band pulsed amplifiers
- NATO-1 NATO-3 band Amplifiers
- Custom Waveguide assemblies



**E-REON is a world class RF/Microwave Solutions Company.**

Our core business focuses in the design and development of High Power RF/Microwave hardware (Active and Passive) for Commercial, Industrial and A&D markets. Ranging from low power exciters to multiKW power amplifier systems for Industrial Heating and RF Energy applications, our product portfolio and services cover a wide spectrum of applications and Markets.

It is our Mission here at E-REON to always turn quality and innovation into Customer satisfaction.

**AT E-REON YOU WILL FIND A DIVERSIFIED AND RICH PORTFOLIO OF TURN-KEY SOLUTIONS AND SERVICES IN HIGH POWER RF AND MICROWAVE HARDWARE**

[www.e-reon.com](http://www.e-reon.com)

**WORKING ON  
INNOVATIVE  
IDEAS**

E - r e o n B V

+31 85 047 1082

info@e-reon.com

Handelsweg 15  
3161 GD Rhoon  
The Netherlands

**RFENERGY  
ALLIANCE**

SOLID-STATE RF ENERGY LEADERSHIP